

PARTS LIST			
ITEM	QTY	PART NUMBER	DESCRIPTION
00933	1	ABA-COV-27	Valve Body
00938	1	ABA-COV-28SS-RevF	Fill Head Valve Cap
00893	1	ABA-COV-07 6 RINGS	Packing Ring Set
00905	1	ABA-COV-18SS	Pressure plug Stainless Steel
00943	1	ABA-COV-31 Rev E	Tie Plate
00952	2	ABA-COV-36 - O-Ring	O-Ring 3.5 x 3.75
00946	4	ABA-COV-32	Tie Rod
01604	1	ABA-COV-110	Air Cylinder Large
02054	1	169PL-4-2	1/4" Tube to 1/8" NPT Male
02053	1	68PL-4-2	Straight Connector
00896	1	ABA-COV-10	Flow Control
01618	1	ABA-COV-90THUMBSCREW	Thumb Screw
00956	4	ABA-COV-40	Knurled Nut
00957	1	ABA-COV-44	2" S-Line Clamp
00958	1	ABA-COV-45	2" S-Line Gasket
02567	4	ABA-COV-32B	Cotter Pin
01655	1	ABA-COV-86AF	Nozzle Cone Large Style with Flush
01574	1	ABA-COV-88UHMW	Bubble Breaker Cone Nozzle
02750	1	ABA-COV-88-UHMWB	10-24 X 7/8 Socket Cap Screw
02627	1	ABA-COV-89B - 10-24 x 1 SS	Flat Head Socket Cap Screw
00895	2	ABA-COV-09	Split Lock Washer
01620	2	ABA-COV-92	Soc Head Cap Screw
35	1	ABA-COV-87A-RevB	Valve Foot Reduced Diameter Cone Size
37	1	ABA-COV-109	Stem Half 20 Thread
38	2	92320A922	1/4" x 1 3/4" Round Spacer

UNLESS OTHERWISE SPECIFIED DIMENSIONS ARE IN INCHES

TOLERANCES: MACH ±0.5" BEND ±1"
 ANGULAR THREE PLACE DECIMAL ±.005"
 TWO PLACE DECIMAL ±.01"
 ONE PLACE DECIMAL ±.1"
 INTEGER (NO DECIMAL) ±.1"
 FRACTIONAL ± 1/32"
 HOLES: Ø 0 - Ø .125 +.004/-0.002
 Ø .126 - Ø .25 +.006/-0.003
 Ø .251 - Ø 1 +.010/-0.005

PROPRIETARY AND CONFIDENTIAL
 THIS INFORMATION CONTAINED IN THIS DRAWING IS THE SOLE PROPERTY OF ANTHONY BARBER ASSOCIATES, LTD (ABA). ANY REPRODUCTION IN PART OR AS A WHOLE WITHOUT THE WRITTEN PERMISSION OF ABA IS STRICTLY PROHIBITED.

ANTHONY BARBER ASSOCIATES, LTD
 8041 Arrowridge Boulevard, Unit G
 Charlotte, NC 28273

Gallon Cone Style Fill Head Reduced Diameter with Flush

SIZE DWG. NO. **ABA-COV-85AF-2** REV

SCALE: 1:10 WEIGHT: SHEET 1 OF 2

DO NOT SCALE DRAWING

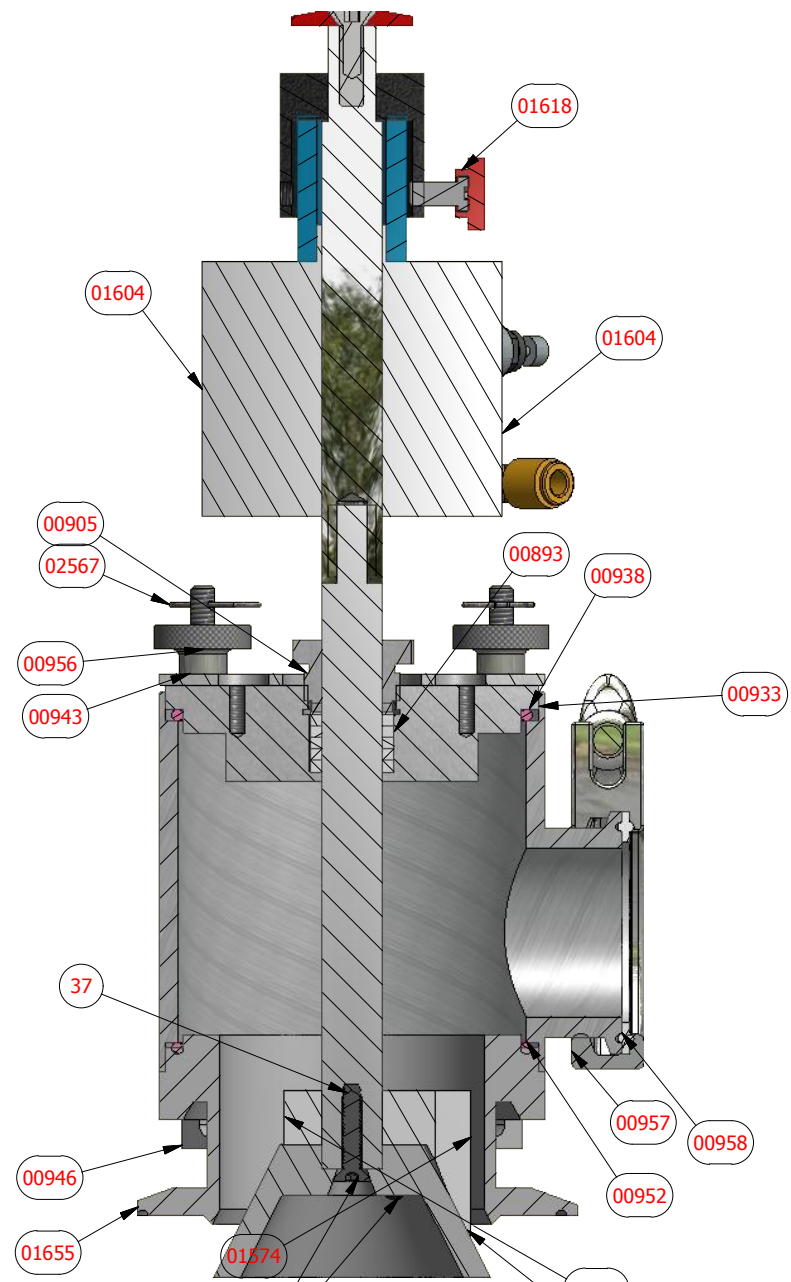
INTERPRET GEOMETRIC TOLERANCING PER: ASME Y14.5

THIRD ANGLE PROJECTION
 IN PART FABRICATION, BREAK EDGES & DEBURR HOLES: .01 TO .02

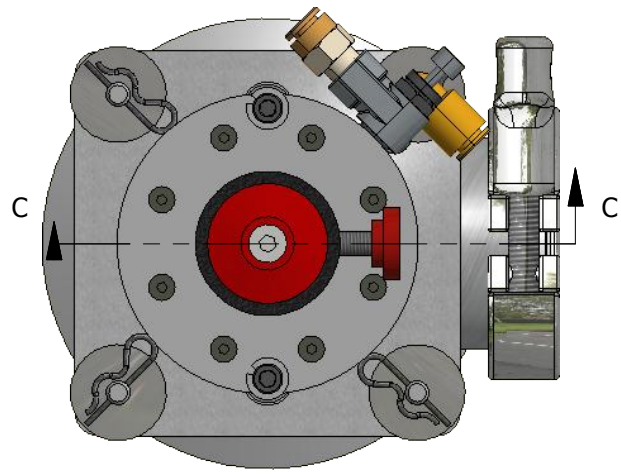
APPROVALS:

DRAWN	NAME	DATE
CHECKED		
ENG APPR.		
MFG APPR.		
Q.A.		

NEXT ASSY USED ON APPLICATION



SECTION C-C
SCALE 1/2



PARTS LIST			
ITEM	QTY	PART NUMBER	DESCRIPTION
00933	1	ABA-COV-27	Valve Body
00938	1	ABA-COV-28SS-RevF	Fill Head Valve Cap
00893	1	ABA-COV-07 6 RINGS	Packing Ring Set
00905	1	ABA-COV-18SS	Pressure plug Stainless Steel
00943	1	ABA-COV-31 Rev E	Tie Plate
00952	2	ABA-COV-36 - O-Ring	O-Ring 3.5 x 3.75
00946	4	ABA-COV-32	Tie Rod
01604	1	ABA-COV-110	Air Cylinder Large
02054	1	169PL-4-2	1/4" Tube to 1/8" NPT Male
02053	1	68PL-4-2	Straight Connector
00896	1	ABA-COV-10	Flow Control
01618	1	ABA-COV-90THUMBSCREW	Thumb Screw
00956	4	ABA-COV-40	Knurled Nut
00957	1	ABA-COV-44	2" S-Line Clamp
00958	1	ABA-COV-45	2" S-Line Gasket
02567	4	ABA-COV-32B	Cotter Pin
01655	1	ABA-COV-86AF	Nozzle Cone Large Style with Flush
01574	1	ABA-COV-88UHMW	Bubble Breaker Cone Nozzle
02750	1	ABA-COV-88-UHMWB	10-24 X 7/8 Socket Cap Screw
02627	1	ABA-COV-89B - 10-24 x 1 SS	Flat Head Socket Cap Screw
00895	2	ABA-COV-09	Split Lock Washer
01620	2	ABA-COV-92	Soc Head Cap Screw
35	1	ABA-COV-87A-RevB	Valve Foot Reduced Diameter Cone Size
37	1	ABA-COV-109	Stem Half 20 Thread
38	2	92320A922	1/4" x 1 3/4" Round Spacer

PROPRIETARY AND CONFIDENTIAL
THIS INFORMATION CONTAINED IN THIS DRAWING IS THE SOLE PROPERTY OF ANTHONY BARBER ASSOCIATES, LTD (ABA). ANY REPRODUCTION IN PART OR AS A WHOLE WITHOUT THE WRITTEN PERMISSION OF ABA IS STRICTLY PROHIBITED.

		UNLESS OTHERWISE SPECIFIED DIMENSIONS ARE IN INCHES		DRAWN: Simon Walker 5/8/2014		Anthony Barber Associates, Ltd 8041 Arrowridge Boulevard, Unit G Charlotte, NC 28273			
		TOLERANCES: ANGULAR: MACH ±0.5° BEND ±1" THREE PLACE DECIMAL ±.005" TWO PLACE DECIMAL ±.01" ONE PLACE DECIMAL ±.1" INTEGER (NO DECIMAL) ±.1" FRACTIONAL ± 1/32" HOLES: Ø 0 - Ø .125 +.004/-0.002 Ø .126 - Ø .25 +.006/-0.003 Ø .251 - Ø 1 +.010/-0.005		CHECKED:		Q.A.		Gallon Cone Style Fill Head Reduced Diameter with Flush	
		MATERIAL:		ENG APPR:		INTERPRET GEOMETRIC TOLERANCING PER: ASME Y14.5			
		FINISH:		MFG APPR:		THIRD ANGLE PROJECTION IN PART FABRICATION, BREAK EDGES & DEBURR HOLES: .01 TO .02			
NEXT ASSY		USED ON		Q.A.		SIZE: B DWG: NO. ABA-COV-85AF-2 REV			
APPLICATION				DO NOT SCALE DRAWING		SCALE: 1:10 WEIGHT: SHEET 2 OF 2			



Anthony Barber Associates Ltd., USA

8041 Arrowridge Boulevard, Suite G, Charlotte, NC 28273

Tel: +1 (704) 714-3494









Fax: +1 (704) 714-3496

http://www.abaltd.com

sales@abaltd.com

Bill Of Materials

Product:	03_ABA-00007851C_ABA-COV-85AF-2 Cone fill head, 2.875 outlet, nozzle with 4 S-Line flush connector and 2 inch dia. air cylinder.
Product Qty:	2
Customer:	
Job Number:	

Part ID	Part Number	Qty	Description	Photo
02750 ()	ABA-COV-88UHMWB	2	10-24 X 7/8 Socket Cap Screw for ABA-COV-88UHMW	
00893 (01)	ABA-COV-07	2	Packing Ring Set, 5/8 I.D. X 7/8 O.D., 5 rings per set.C1056	
01618 (01618)	ABA-COV-90THUMBSCREW	2	Red thumb screw 1/4-28	
00952 (02)	ABA-COV-36	4	Fill head O-Ring Teflon outer, silicone core o-ring (TFE)	
03813 (03)	ABA-COV-110	2	Adjustable stroke air cylinder for cone fill head with 2 inch bore, 1 inch stroke and 1/2-20 female thread for valve stem.	
03545 (03545)	ABA-LABEL	2	ABA Label	
03838 (04)	92198A562	4	18-8 SS Hex Head Cap Screw 1/4"-20 Thread, 5" Length	
01127 (04a)	ABA-LINESTOP-07	4	18-8 Stainless Steel Spring Lock Washer 1/4 Screw Sz, .260 ID, .487 OD, .062 min Thick	

00956 (05)	ABA-COV-40	8	Knurled nut 1/4-20	
01655 (06)	ABA-COV-86AF	2	Gallon cone, 2.875 inch outlet, nozzle with 4 inch S-Line connector.	
01856 (06a)	CB-4-SLINE-CLAMP	2	4 inch S-Line Clamp, 304	
01857 (06b)	CB-4-SLINE-SEAL	2	4 inch S-Line Teflon Seal/Gasket	
01760 (06c)	ABA-COV-86FADAPTOR	2	4 inch S-Line to 4 inch hosetail adapter barbed 304 (See also CB-4-SLINE-CLAMP and CB-4-SLINE-SEAL)	
01723 (07)	ABA-COV-87A	2	Valve foot, 2.875 Outlet, Gallon cone nozzle, reduced 1/2 diameter	
01574 (08)	ABA-COV-88UHMW	2	UHMW Bubble Breaker for Gallon Nozzle	
00896 (09)	ABA-COV-10	2	Flow control, cut off valve	
02053 (11)	68PL-4-2	2	Straight Connector, 1/4 inch Tube x 1/8 inch NPT Male	
02054 (12)	169PL-4-2	2	Elbow 1/4 inch Tube x 1/8inch NPT Male	
00905 (13)	ABA-COV-18SS	2	Pressure plug stainless steel	
03812	ABA-COV-109	2	Valve stem with 1/2-20 air cylinder thread for 2" air	

(14)			cylinder.	
00946 (15)	ABA-COV-32	8	Tie Rod assembly 1/4-20 thread	
02567 (15)	ABA-COV-32B	8	Cotter pin for ABA-COV-32	
00933 (16)	ABA-COV-27	2	Valve body - S-line inlet	
00943 (18)	ABA-COV-31	2	Tie plate, ABA-COV-26 ASSY	
03846 (19)	92320A922	4	Aluminum Unthreaded Round Spacer 1/2 inch OD, 1-3/4 Length, 1/4 Screw Size	
00958 (20)	ABA-COV-45	2	2inch S-Line Teflon Seal/Gasket	
00957 (21)	ABA-COV-44	2	2 inch S-Line Clamp Heavy, 304 SS	
02627 (22)	ABA-COV-89B	2	18-8 Stainless Steel Flat Head Sckt Cap Screw 1/4-28 Thread, 1 inch Length	
00938 (28)	ABA-COV-28SS	2	Valve Cap COV-26 Assy, Stainless Steel	