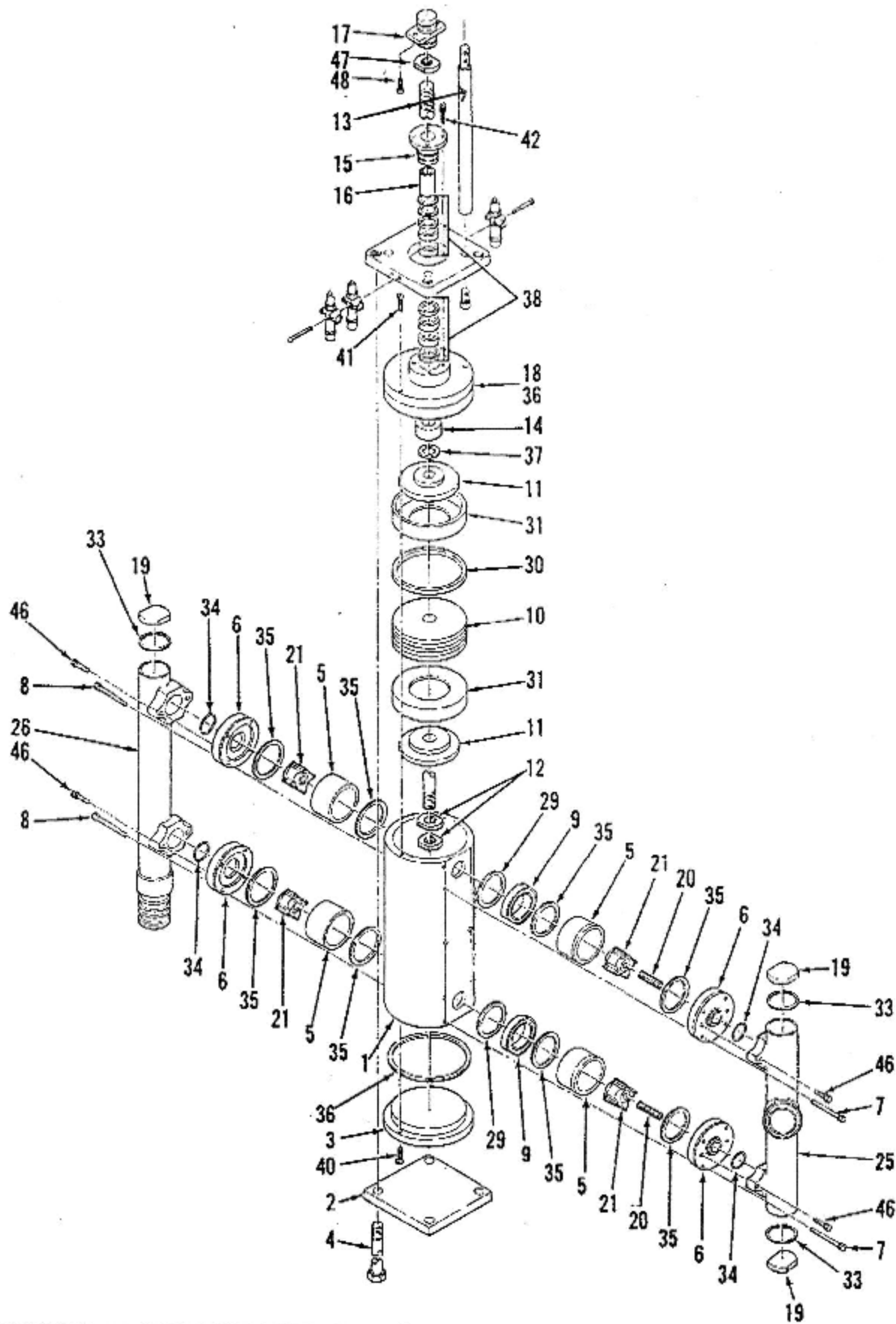


P-168 PRODUCT PUMP ASSEMBLY





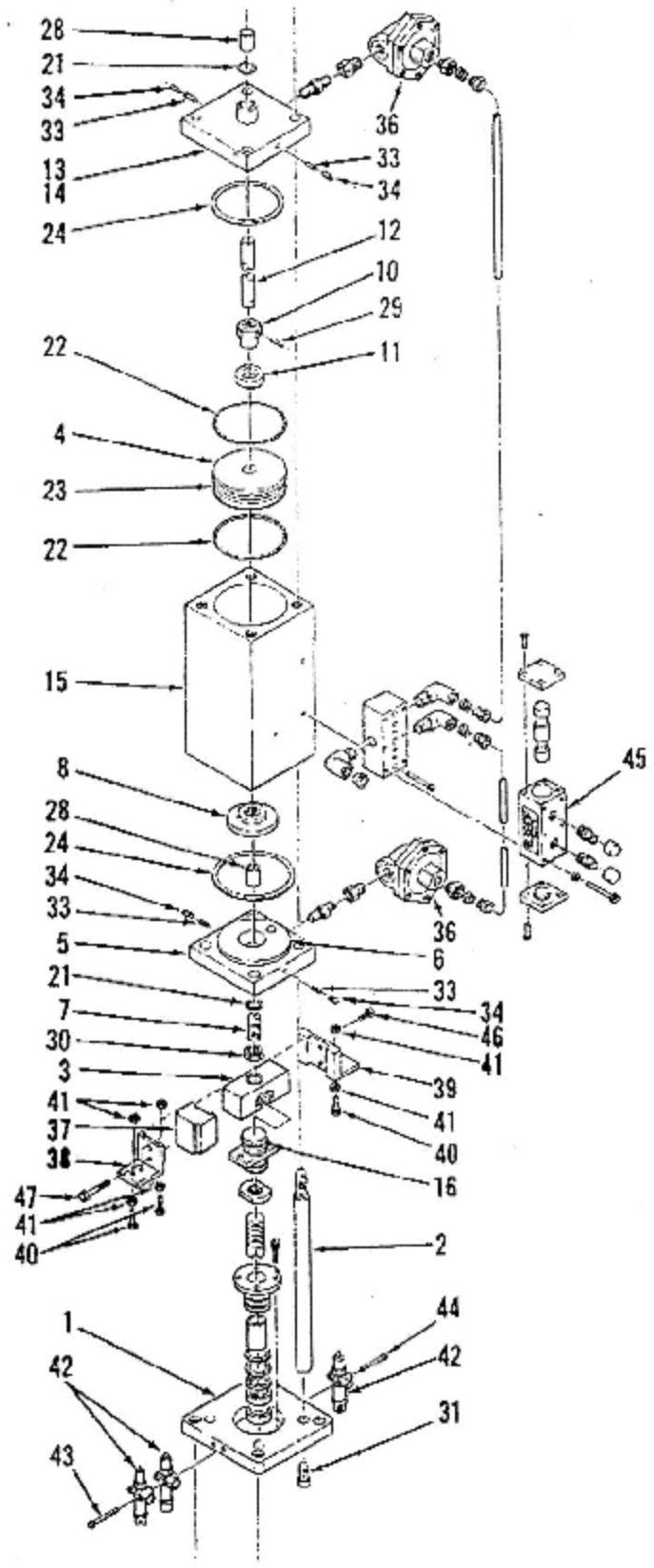
Anthony Barber Associates, Ltd.
1413 Bull Creek Drive, Libertyville IL 60048-1025
Tel: 847-918-8276 Fax: 847-918-7574

1998

PARTS LIST FOR P168 VOLUMETRIC PISTON PUMPE

ABA #	NEUMO #	THIELE #	DESCRIPTION
ABA-168-01	15/82	60008133C	CYLINDER BODY
ABA-168-02	15/12	60008134B	END PLATE
ABA-168-03	15/4	60008135B	END CAP
ABA-168-04	15/14	60008136B	END PLATE BOLT
ABA-168-05	15/77	60008137B	VALVE CHAMBER
ABA-168-06	15/75	60008138B	VALVE PLATE AND SEAT
ABA-168-07	15/28	60008139A	VALVE CHAMBER BOLT - OUTLET
ABA-168-08	15/27	60008140A	VALVE CHAMBER BOLT - INLET
ABA-168-09	15/80	60006141B	VALVE SEAT - OUTLET
ABA-168-10	15/44	60008142B	PLUNGER CUP SPACER AND RING SUPPORT
ABA-168-11	15/42	60008143B	PLUNGER CUP SUPPORT
ABA-168-12	15/9-A	60008144A	LOCKNUT
ABA-168-13	15/17	60008145A	PUSHROD
ABA-168-14	15/18	60008146A	COLLAR
ABA-168-15	15/7	60008111A	GLAND ADJUSTING SLEEVE
ABA-168-16	15/8	60008112A	TEFLON SLEEVE - GLAND ADJUSTMENT
ABA-168-17	15/11	60008147B	MALE COUPLING
ABA-168-18	15/83	60008149C	GLAND HOUSING
ABA-168-19	15/60	60008150A	END PLUG
ABA-168-20		60008203A	VALVE SPRING
ABA-168-21	15/81	60008148C	FLOW VALVE
ABA-168-25	15/76	60008151D	OUTLET MANIFOLD
ABA-168-26	15/76	60008152D	INLET MANIFOLD
ABA-168-27		60008333D	OUTLET MNAIFOLD
ABA-168-28		60008332D	INLET MANIFOLD
ABA-168-29		60008103A	VALVE SEAT GASKET - OUTLET
ABA-168-30		60008154A	QUAD RING (WEAR RING) OBSOLETE SEE
ABA-168-302		123809B	QUAD RING - ONE RING REPLACES TWO
ABA-168-31	15/45	60008155C	PLUNGER CUP
ABA-168-33	15/61	60008156A	END PLUG GASKET - MANIFOLD
ABA-168-34	BS222	60008157A	VALVE PLATE O RING
ABA-168-35	15/78	60008102A	VALVE CHAMBER GASKET
ABA-168-36	15/5	60008159A	CYLINDER BODY GASKET
ABA-168-37	15/47	60008160A	SEALING RING
ABA-168-38	590-1813	60008161A	(NEW #60907003A) GLAND PACKING ASSEMBLY
ABA-168-40		60008162A	SCT C'SUNK SCREW 1/4" X 3/4" LG
ABA-168-41		60008163A	SCT C'SUNK SCREW 1/4" X 1-1/4" LG
ABA-168-42		60008164A	SCT HEAD CAP SCREW 1/4" X 3/4" LG
ABA-168-46		60008201A	HEX HEAD CAP SCREW 5/16" X 1" LG
ABA-168-47		60008209A	LOCKNUT 3/4"
ABA-168-48		60008213A	SOCKET

425-8 PUMP MOTOR ASSEMBLY





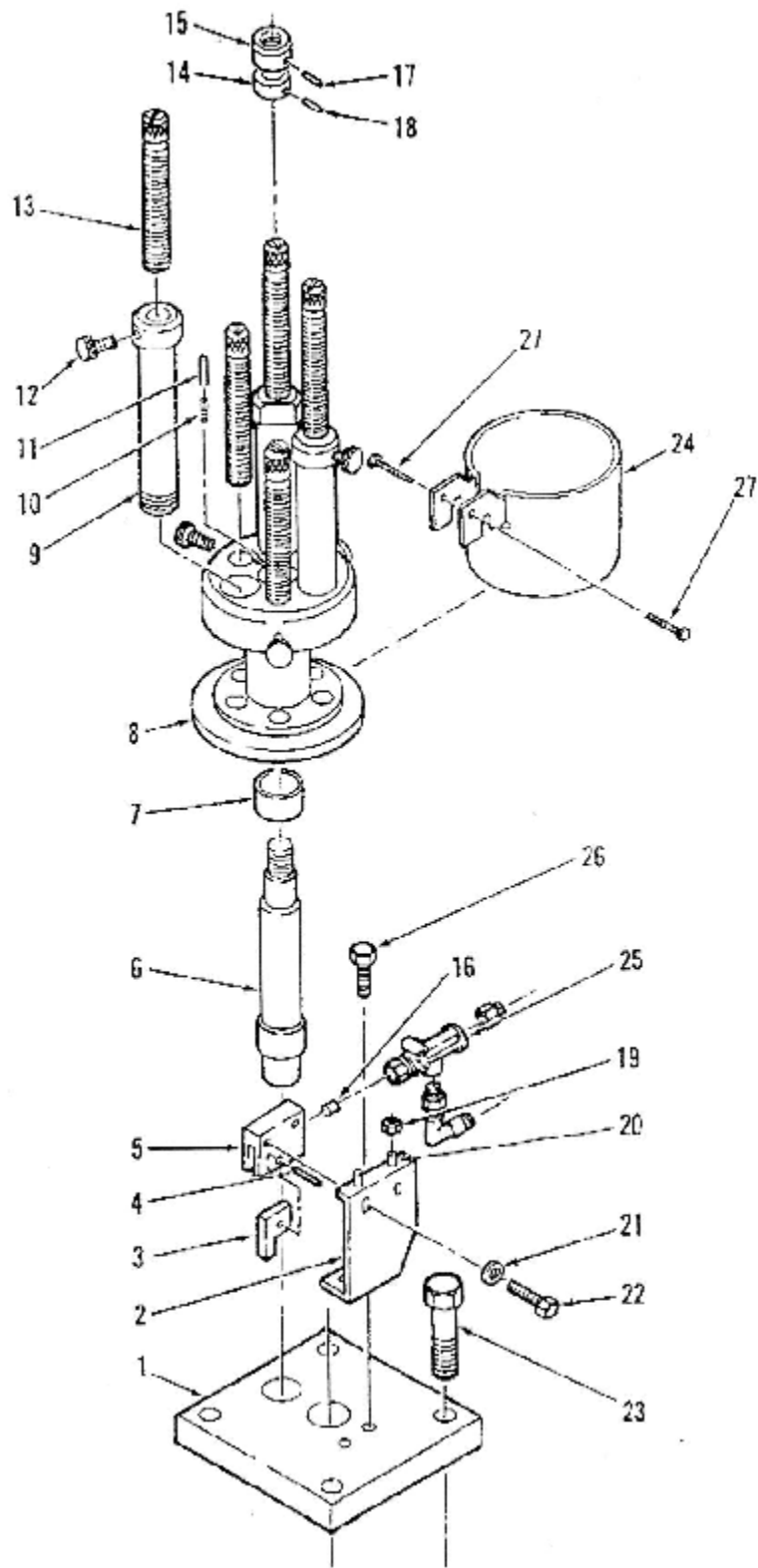
Anthony Barber Associates, Ltd.
1413 Bull Creek Drive, Libertyville IL 60048-1025
Tel: 847-918-8276 Fax: 847-918-7574

1998

PARTS FOR P168/425-8 AIR MOTOR

ABA #	NEUMO #	THIELE #	DESCRIPTION
ABA-425-01	18/208	60008165B	TIE ROD END PLATE (COMMON TO ROUND AND SQUARE AIR MOTORS)
ABA-425-02	18/111	60008170B	TIE ROD - USED ON OLD SQUARE AIR MOTORS
ABA-168-TIEROD		60008337A	TIE ROD - USED ON NEW ROUND AIR MOTORS
ABA-425-85		60008340A	TIE BOLT - USED ON NEW ROUND AIR MOTORS
ABA-425-03	18/214	60008172B	FEMALE COUPLING
ABA-425-04	18/207	60008186B	PISTON
ABA-425-05	18-203	60008180C	GLAND HOUSING (HEAD PLATE)
ABA-425-06	18/104	60008182A	SHOCK ABSORBER (BUMPER)
ABA-425-07	18/210	60008190B	LONG PUSH ROD (PISTON ROD)
ABA-425-08	18/204	60008207A	PUSH ROD COLLAR
ABA-425-09	18/205	60008211A	PUSH ROD ASS'Y
ABA-425-10	18/206	60008208A	RETAINING NUT
ABA-425-11	18/225	60008210A	RETAINING WASHER
ABA-425-12	18/107	60008219A	IMPACT SHAFT
ABA-425-13	18/106	60008188A	SHOCK ABSORBER (BUMPER)
ABA-425-14	18/202	60008189C	END CAP
	18/210	60008185C	CYLINDER BODY - OBSOLETE OLD SQUARE BODY
ABA-425-15		60008336A	CYLINDER BODY - NEW ROUND CYLINDER
ABA-425-16	18/217	60008171A	ALIGNMENT PLATE
ABA-425-21	NO 114	60008183A	HEAD PLATE AND END CAP O RING
ABA-425-22	NO 334	60008187A	PISTON O RING
ABA-425-23		60008212A	PISTON WEAR RING
ABA-425-24		60008181A	HEAD PLATE AND END CAP GASKET
ABA-425-28		60008184A	HEAD PLATE AND END CAP BUSHING
ABA-425-29	NUMBER UNKNOWN		SPRING PIN 1/4" X 1/4" FOR IMPACT SHAFT
ABA-425-30		60008178A	LOCKNUT
ABA-425-31		60008169A	SCT HD CAP SCRW 7/16" X 3/4" LG
ABA-425-32		60008213A	SCT HD CAP SCRW 1/4" X 1/2" LG
ABA-425-33		60008214A	SET SCREW 1/4" X 1/2"LG
ABA-425-34		60008179A	SET SCREW 5/16" X 5/16"LG
ABA-425-36		60008215A	EXHAUST VALVE
ABA-425-37		60008173B	SPACER BLOCK
ABA-425-38		60008174B	STRIKER PLATE
ABA-425-39		60008175B	STRIKER PLATE
ABA-425-40		60008176B	HEX HEAD CAP SCREW 1/4" X 1"
ABA-425-41		60008177A	HEX NUT 1/4"
ABA-425-42E			REPLACEMENT FOR ENOTS VALVE, U.S. THREAD
ABA-425-42EBRACKET			- BRACKET TO "PIGGY BACK" TWO REPLACEMENT ENOTS
ABA-425-43		60008167A	HEX HD CAP SCR 3/16" X 2"LG
ABA-425-44		60008168A	HEX HD CAP SCR 3/16" X 1"LG
ABA-425-45		60008228A	SPOOL VALVE - OBSOLETE
ABA-425-46		60008229A	HEX HD CAP SCR 1/4" X 1/2"LG
ABA-425-47		60008230A	HEX HD CAP SCR 1/4" X 1-1/4"LG
ABA-425-REPAIR-KIT	560108001E		CONVERSION KIT, SQUARE MOTOR TO ROUND

TURRET ASSEMBLY FOR 425-8 MOTOR





Anthony Barber Associates, Ltd.
1413 Bull Creek Drive, Libertyville IL 60048-1025
Tel: 847-918-8276 Fax: 847-918-7574

1998

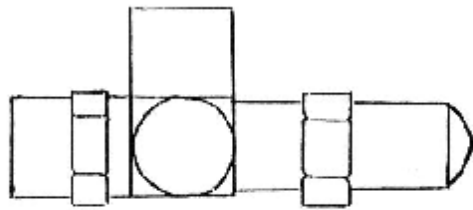
PARTS LIST FOR 425 AIR MOTOR TURRET

ABA #	THIELE #	DESCRIPTION
ABA-425T-01	60008191B	TURRET MOUNTING PLATE
ABA-425T-02	60008192B	MOUNTING BRACKET
ABA-425T-03	60008217A	CAM
ABA-425T-04	60008218A	PIN
ABA-425T-05	60008216B	VALVE BRACKET (USED WITH OLD ENOTS)
ABA-425T-05B		VALVE BRACKET, U.S. THREAD, USE ABA-425-42E VALVE
ABA-425T-06	60008193B	TURRET AXIS (MAIN SHAFT)
ABA-425T-07	60008195A	BUSHING
ABA-425T-08	60008194C	BODY
ABA-425T-09	60008196B	TURRET PIN SLEEVE
ABA-425T-10	60008205A	RATCHET SPRING
ABA-425T-11	60008206A	RATCHET PIN
ABA-425T-12	60008200A	CLAMP SCREW
ABA-425T-13	60008197B	TURRET PIN
ABA-425T-14	60008202A	RATCHET COLLAR
ABA-425T-15	60008199A	TURRET COLLAR
ABA-425T-16	60008198A	ROD CAP
ABA-425T-17	60008204A	SET SCREW
ABA-425T-18	60008221A	SET SCREW
ABA-425T-19	60008222A	HEX NUT
ABA-425T-20	60008223A	SET SCREW
ABA-425T-21	60008224A	(NEW # 107544B06) #10 LIGHT WASHER
ABA-425T-22	60008168A	HEX HD CAP SCREW, 1" LONG 3/16-24 BSW
ABA-425T-24	60008227B	TURRET GUARD
ABA-425-42E	REPLACEMENT FOR	ENOTS VALVE WITH NO COVER, U.S. THREAD
ABA-425T-26	60008229A	HEX HEAD CAP SCREW, 1/4" X 1/2" LONG
ABA-425T-27	60008153A	HEX HEAD CAP SCREW, 3/16" X 1/2" LONG

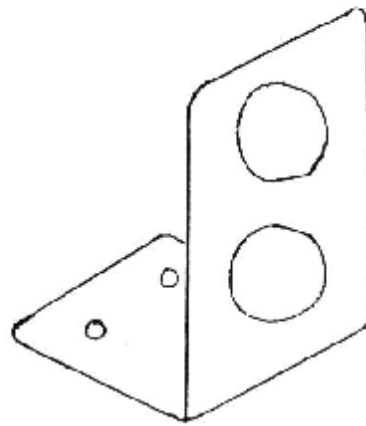


Anthony Barber Associates, Ltd.
1413 Bull Creek Drive
Libertyville, IL 60048-1025
Tel: 847-918-8276
Fax: 847-918-7574

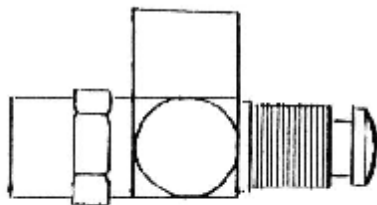
ENOTS POPPET VALVE REPLACEMENTS FOR P168 PUMP



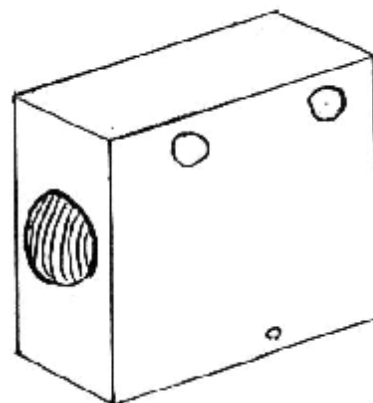
ABA-425-42E
POPPET VALVE



ABA-425-42BRACKET
DOUBLE VALVE BRACKET



ABA-425-42E
POPPET VALVE WITH 15/32-32 THREAD
(SHOWN WITH COVER REMOVED)



ABA-425T-05B
VALVE MOUNTING BLOCK
(15/32-32 THREAD)