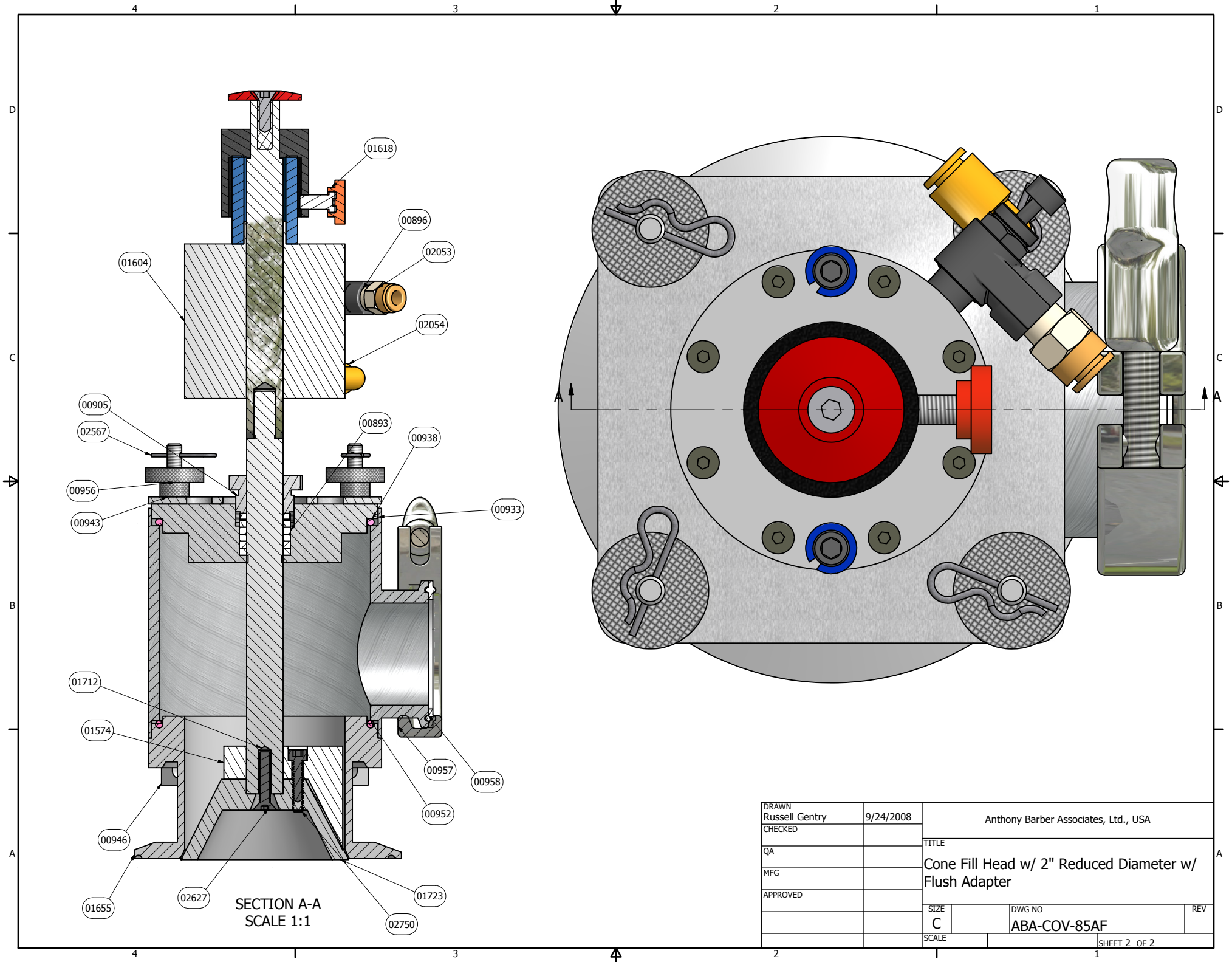


PARTS LIST			
ITEM	QTY	PART NUMBER	DESCRIPTION
02054	1	169PL-4-2	1/4" Tube to 1/8" NPT Male
02053	1	68PL-4-2	Straight Connector
00893	1	ABA-COV-07 6 RINGS	Packing Ring Set
00895	2	ABA-COV-09	Split Lock Washer
00896	1	ABA-COV-10	Flow Control
00905	1	ABA-COV-18SS	Pressure plug Stainless Steel
00933	1	ABA-COV-27	Valve Body
00938	1	ABA-COV-28SS	Valve Cap
00943	1	ABA-COV-31 Rev B	Tie Plate
00946	4	ABA-COV-32	Tie Rod
02567	4	ABA-COV-32B	Cotter Pin
00952	2	ABA-COV-36 - O-Ring	O-Ring 3.5 x 3.75
00956	4	ABA-COV-40	Knurled Nut
00957	1	ABA-COV-44	2" S-Line Clamp
00958	1	ABA-COV-45	2" S-Line Gasket
01655	1	ABA-COV-86AF	Nozzle Cone Large Style with Flush
01723	1	ABA-COV-87A Rev B	Valve Foot Reduced Diameter Cone Size
02750	1	ABA-COV-88-UHMWB	10-24 X 7/8 Socket Cap Screw
01574	1	ABA-COV-88UHMW	Bubble Breaker Cone Nozzle
02627	1	ABA-COV-89B - 10-24 x 1 SS	Flat Head Socket Cap Screw
01712	1	ABA-COV-89Rev D	Cutoff Valve, Valve Stem Cone Style
01604	1	ABA-COV-90	Air Cylinder Large
01618	1	ABA-COV-90THUMBSCREW	
01605	2	ABA-COV-91	Stainless Steel Threaded Round Standoffs 1/4 OD, 2 Length, 10-32 Screw Size
02532	2	ABA-COV-91B	SS set screws 10-32 x 7/8 inch
01620	2	ABA-COV-92	Soc Head Cap Screw

Z:\Products\ABA-COV\ABA-COV-85AF\ABA-COV-85AF - ABA-COV-85A - Gallon Cone Style Fill Head Reduced Diameter with Flush.idw

DRAWN Russell Gentry	9/24/2008	Anthony Barber Associates, Ltd., USA	
CHECKED		TITLE Cone Fill Head w/ 2" Reduced Diameter w/ Flush Adapter	
QA		SIZE C	DWG NO ABA-COV-85AF
MFG		SCALE	REV
APPROVED			
			SHEET 1 OF 2



- 01618
- 00896
- 02053
- 01604
- 02054
- 00905
- 02567
- 00956
- 00943
- 00893
- 00938
- 00933
- 01712
- 01574
- 00957
- 00958
- 00952
- 00946
- 02627
- 01723
- 01655
- 02750

SECTION A-A  
SCALE 1:1

DRAWN Russell Gentry		9/24/2008		Anthony Barber Associates, Ltd., USA	
CHECKED				TITLE	
QA				Cone Fill Head w/ 2" Reduced Diameter w/ Flush Adapter	
MFG				SIZE	
APPROVED				DWG NO	
		C		ABA-COV-85AF	
		SCALE		REV	
				SHEET 2 OF 2	



**Anthony Barber Associates Ltd., USA**

8041 Arrowridge Boulevard, Suite G, Charlotte, NC 28273

Tel: +1 (704) 714-3494

Fax: +1 (704) 714-3496

<http://www.abaltd.com>

[sales@abaltd.com](mailto:sales@abaltd.com)

## Bill Of Materials





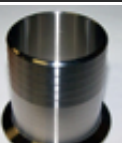
<b>Product:</b>	ABA-COV-85AF Cone fill head with 2 inch reduced diameter with flush flange and flush adaptor mating parts.
<b>Product Qty:</b>	1
<b>Customer:</b>	
<b>Job Number:</b>	

Part ID	Part Number	Qty	Description	Photo
02750 ( )	ABA-COV-88UHMWB	1	10-24 X 7/8 Socket Cap Screw for ABA-COV-88UHMWB	
00893 (01)	ABA-COV-07	1	Packing Ring Set, 5/8 I.D. X 7/8 O.D., 5 rings per set. (C1056 FDA compliant PTFE filament), -450f to +500f	
00952 (02)	ABA-COV-36	2	Fill head O-Ring Teflon outer, silicone core o-ring (TFE)	
01604 (03)	ABA-COV-90	1	Air cylinder, 1 5/8 bore x 1inch adjustable extend stroke, 3/8-24 female thread - seal kit is P/N ABA-COV-90SKT.	
01618 (03a)	ABA-COV-90THUMBSCREW	1	Red thumb screw 1/4-28	
01619 (03b)	ABA-COV-90REDCAP	1	Red cap for COV-90 air cylinder	
03545 (03c)	ABA-LABEL	1	ABA Label	
01620	ABA-COV-92	2	18-8 Stainless Steel Socket Head Cap Screw 10-32	

(04)			Thread, 2-3/4 Length for ABA-COV-85 cone head assy.	
00956 (05)	ABA-COV-40	4	Knurled nut 1/4-20	
01655 (06)	ABA-COV-86AF	1	Gallon cone, 2.875 inch outlet, nozzle with 4 inch S-Line connector.	
01723 (07)	ABA-COV-87A	1	Valve foot, 2.875 Outlet, Gallon cone nozzle, reduced 1/2 diameter	
01574 (08)	ABA-COV-88UHMW	1	UHMW Bubble Breaker for Gallon Nozzle	
00896 (09)	ABA-COV-10	1	Flow control, cut off valve	
00895 (10)	ABA-COV-09	2	18-8 Stainless Steel Spring Lock Washer #10 Screw Size, .200 in ID, .334 in OD, .047 in min Thk (See also/take from 92146A011 for additional inventory)	
02053 (11)	68PL-4-2	1	Straight Connector, 1/4 inch Tube x 1/8 inch NPT Male	
02054 (12)	169PL-4-2	1	Elbow 1/4inch Tube x 1/8inch NPT Male	
00905 (13)	ABA-COV-18SS	1	Pressure plug stainless steel	
00938 (13)	ABA-COV-28SS	1	Valve Cap COV-26 Assy, Stainless Steel	



01712 (14)	ABA-COV-89	1	Valve stem gallon cone, 3/8-24 male thread, 1/4-28 female O/E	
02567 (15)	ABA-COV-32B	4	Cotter pin for ABA-COV-32	
00946 (15)	ABA-COV-32	4	Tie Rod assembly 1/4-20 thread	
00933 (16)	ABA-COV-27	1	Valve body - 2 inch S-line inlet with sanitary weld	
00943 (18)	ABA-COV-31	1	Tie plate, ABA-COV-26 ASSY	
02532 (19)	ABA-COV-91B	2	SS Set Screws 10-32 x 7/8 inch for COV-91 Standoffs	
01605 (19)	ABA-COV-91	2	18-8 Stainless Steel Threaded Round Standoffs 1/4 OD, 2 Length, 10-32 Screw Size	
00958 (20)	ABA-COV-45	2	2inch S-Line Teflon Seal/Gasket	
00957 (21)	ABA-COV-44	2	2 inch S-Line Clamp Heavy, 304 SS	
02627 (22)	ABA-COV-89B	1	18-8 Stainless Steel Flat Head Sckt Cap Screw 1/4-28 Thread, 1 inch Length	

				
05178 (23)	ABA-ADAP-4-2	1	Reducer Adapter 4inch S-Line to 2inch S-Line Concentric	
01856 (24)	CB-4-SLINE-CLAMP	1	4 inch S-Line Clamp, 304	
01857 (25)	CB-4-SLINE-SEAL	1	4 inch S-Line Teflon Seal/Gasket	
03149 (26)	ABA-ADAP-S-2	1	Adapter 2 S-Line to 2 hoesetail barbed (for rubber hose)	
05177 (28)	CB-4-SLINE-ELBOW45	1	45 degree 4inch S-line elbow	