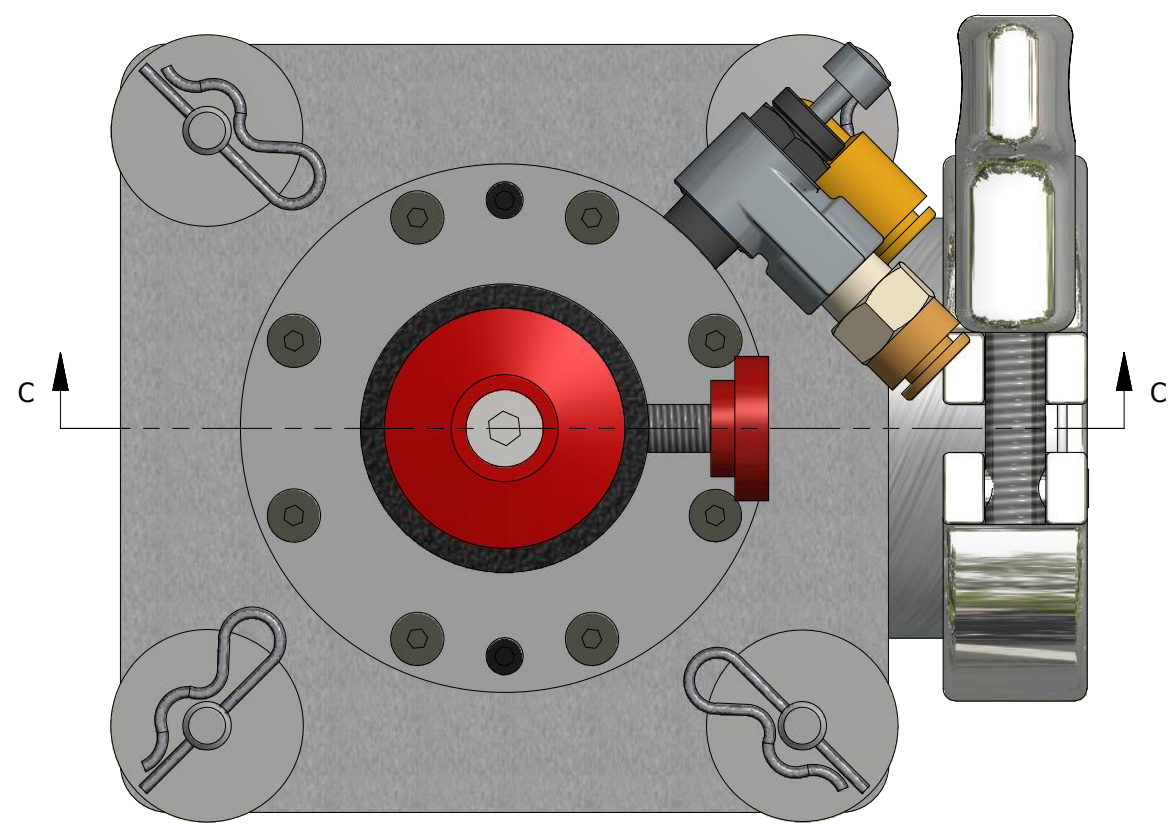
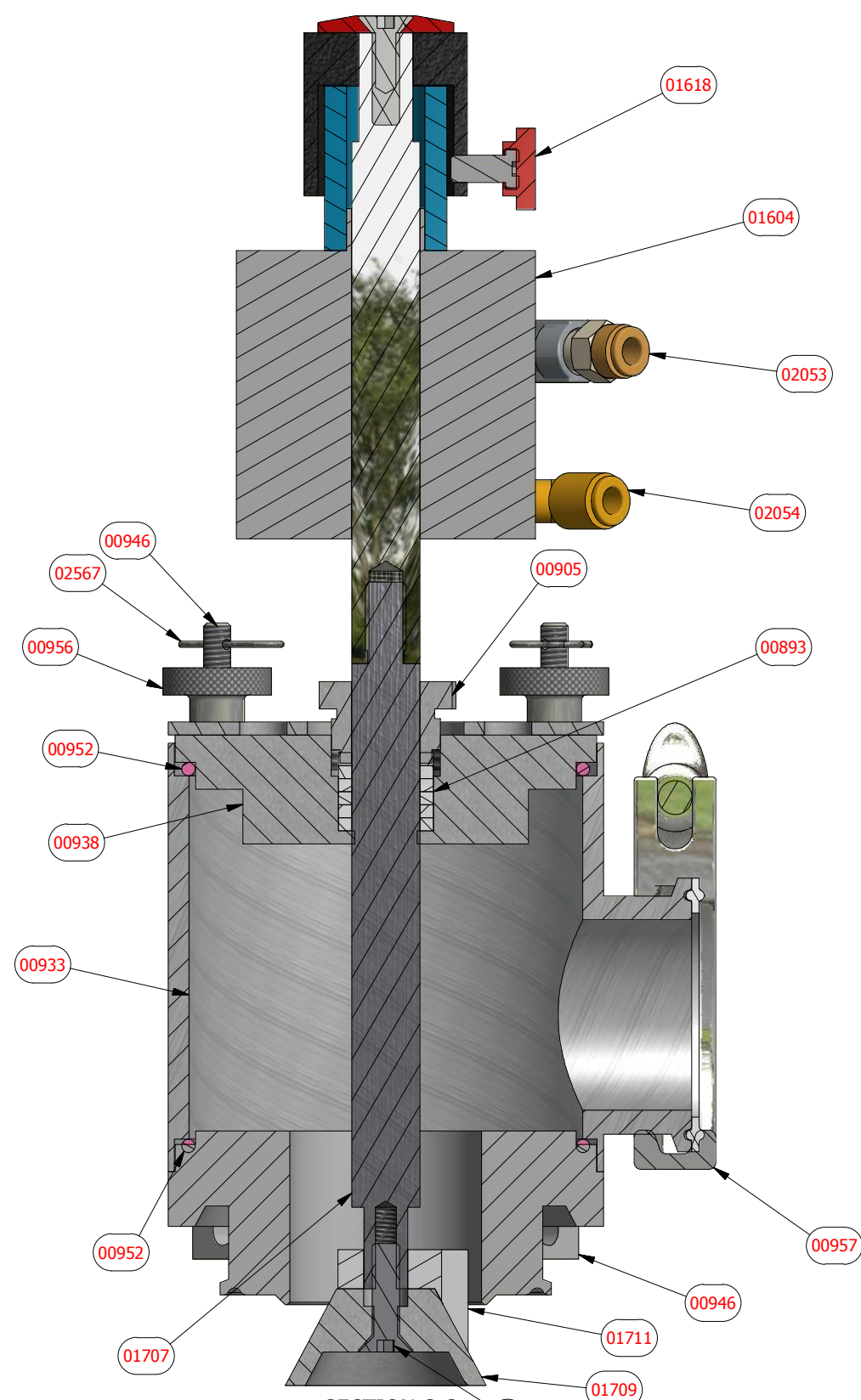


PARTS LIST				
ITEM	QTY	PART NUMBER	DESCRIPTION	
00933	1	ABA-COV-27	Valve Body	
00938	1	ABA-COV-28SS	Valve Cap	
00893	1	ABA-COV-07 6 RINGS	Packing Ring Set	
00905	1	ABA-COV-18SS	Pressure plug Stainless Steel	
00943	1	ABA-COV-31 Rev B	Tie Plate	
00952	2	ABA-COV-36 - O-Ring	O-Ring 3.5 x 3.75	
00946	4	ABA-COV-32	Tie Rod	
01709	1	ABA-COV-87SML Rev B		
01707	1	ABA-COV-89SML Rev B		
11	1	92805A245 (ABA-COV-105B)	10-24 x .75 FHCS Screw	
02532	2	ABA-COV-91B	SS set screws 10-32 x 7/8 inch	
01604	1	ABA-COV-90	Air Cylinder Large, 1 58" Bore x 1" Adjustable Stroke	
02749	1	6-32 X 0.5 INCH SHCS		
02054	1	169PL-4-2	1/4" Tube to 1/8" NPT Male	
02053	1	68PL-4-2	Straight Connector	
00896	1	ABA-COV-10	Flow Control	
01605	2	ABA-COV-91	Stainless Steel Threaded Round Standoffs 1/4 OD, 2 Length, 10-32 Screw Size	
01618	1	ABA-COV-90THUMBSCREW	Thumb Screw	
00956	4	ABA-COV-40	Knurled Nut	
00957	1	ABA-COV-44	2" S-Line Clamp	
00958	1	ABA-COV-45	2" S-Line Gasket	
02567	4	ABA-COV-32B	Cotter Pin	
01711	1	ABA-COV-88SML Rev D	Bubble breaker small	
26	1	ABA-COV-86SMLF	Nozzle Quart Cone Style with Flush	

PROPRIETARY AND CONFIDENTIAL
 THIS INFORMATION CONTAINED IN THIS DRAWING IS THE SOLE PROPERTY OF ANTHONY BARBER ASSOCIATES, LTD (ABA). ANY REPRODUCTION IN PART OR AS A WHOLE WITHOUT THE WRITTEN PERMISSION OF ABA IS STRICTLY PROHIBITED.

UNLESS OTHERWISE SPECIFIED DIMENSIONS ARE IN INCHES		DRAWN		NAME	DATE	Anthony Barber Associates, Ltd 8041 Arrowridge Boulevard, Unit G Charlotte, NC 28273	
TOLERANCES:		CHECKED		Simon Walker	5/12/2014	TITLE: Quart Cone Style Fill Head with Flush	
ANGULAR: MACH ±0.5" BEND ±1"		ENG APPR.				SIZE DWG. NO. REV	
THREE PLACE DECIMAL ±.005"		MFG APPR.				B ABA-COV-85QTSF	
TWO PLACE DECIMAL ±.01"		Q.A.				SCALE: 1:10 WEIGHT: SHEET 1 OF 2	
ONE PLACE DECIMAL ±.1"		INTERPRET GEOMETRIC TOLERANCING PER: ASME Y14.5					
INTEGER (NO DECIMAL) ±.1"		THIRD ANGLE PROJECTION					
FRACTIONAL ± 1/32"		IN PART FABRICATION, BREAK EDGES & DEBURR HOLES .01 TO .02					
HOLES: Ø 0 - Ø .125 +.004/-0.002		DO NOT SCALE DRAWING					
Ø .126 - Ø .25 +.006/-0.003							
Ø .251 - Ø 1 +.010/-0.005							
NEXT ASSY	USED ON	FINISH					
APPLICATION							



PROPRIETARY AND CONFIDENTIAL
 THIS INFORMATION CONTAINED IN THIS DRAWING IS THE SOLE PROPERTY OF ANTHONY BARBER ASSOCIATES, LTD (ABA). ANY REPRODUCTION IN PART OR AS A WHOLE WITHOUT THE WRITTEN PERMISSION OF ABA IS STRICTLY PROHIBITED.

		UNLESS OTHERWISE SPECIFIED DIMENSIONS ARE IN INCHES		DRAWN SimonWalker 5/12/2014		NAME DATE		Anthony Barber Associates, Ltd 8041 Arrowridge Boulevard, Unit G Charlotte, NC 28273			
		TOLERANCES: ANGULAR MACH ±0.5° BEND ±1° THREE PLACE DECIMAL ±.005" TWO PLACE DECIMAL ±.01" ONE PLACE DECIMAL ±.1" INTEGER (NO DECIMAL) ±.1" FRACTIONAL ± 1/32" HOLES: Ø 0 - Ø .125 +.004/-.002 Ø .126 - Ø .25 +.006/-.003 Ø .251 - Ø 1 +.010/-.005		CHECKED		ENG APPR.		MFG APPR.		TITLE: Quart Cone Style Fill Head with Flush	
		MATERIAL		Q.A.		INTERPRET GEOMETRIC TOLERANCING PER: ASME Y14.5		SIZE DWG. NO. B ABA-COV-85QTSF		REV	
NEXT ASSY		USED ON		FINISH		THIRD ANGLE PROJECTION IN PART FABRICATION, BREAK EDGES & DEBURR HOLES .01 TO .02		SCALE: 1:10 WEIGHT:		SHEET 2 OF 2	
APPLICATION						DO NOT SCALE DRAWING					



Anthony Barber Associates Ltd., USA

8041 Arrowridge Boulevard, Suite G, Charlotte, NC 28273

Tel: +1 (704) 714-3494

Fax: +1 (704) 714-3496

<http://www.abaltd.com>







sales@abaltd.com

Bill Of Materials

Product:	ABA-COV-85QTSF Cone Fill Head - 2 S-line Inlet, 1.84 Diameter Outlet for Quarts and Gallons, with 2.5 Diameter S-Line Flush Flange.
Product Qty:	1
Customer:	
Job Number:	

Part ID	Part Number	Qty	Description	Photo
00893 (01)	ABA-COV-07	1	Packing Ring Set, 5/8" I.D. X 7/8" O.D., 5 rings per set.	
00895 (10)	ABA-COV-09	2	18-8 Stainless Steel Spring Lock Washer #10 Screw Size, .200" ID, .334" OD, .047" min Thk (See also/take from 92146A011 for additional inventory)	
00896 (09)	ABA-COV-10	1	Flow control, cut off valve	
00905 (13)	ABA-COV-18SS	1	Pressure plug stainless steel	
00933 (16)	ABA-COV-27	1	Valve body - S-line inlet	
00938 (17)	ABA-COV-28SS	1	Valve Cap COV-26 Assy, Stainless Steel	
00943 (18)	ABA-COV-31	1	Tie plate, ABA-COV-26 ASSY	

00946 (15)	ABA-COV-32	4	Tie Rod assembly 1/4-20 thread	
00952 (02)	ABA-COV-36	2	Fill head O-Ring Teflon outer, silicone core o-ring (TFE)	
00956 (05)	ABA-COV-40	4	Knurled nut 1/4-20	
00957 (21)	ABA-COV-44	1	2inch S-Line Clamp Heavy, 2 Tri-clover, 304 SS	
00958 (20)	ABA-COV-45	1	2inch S-Line Teflon Seal/Gasket	
01604 (03)	ABA-COV-90	1	Air cylinder, 1 5/8 bore x 1inch adjustable extend stroke	
01605 (19)	ABA-COV-91	2	18-8 Stainless Steel Threaded Round Standoffs 1/4" OD, 2" Length, 10-32 Screw Size	
01618 (3C)	ABA-COV-90THUMBSCREW	1	Red thumb screw 1/4-28	
01619 (3B)	ABA-COV-90REDCAP	0	Red cap for COV-90 air cylinder	
01620 (04)	ABA-COV-92	2	18-8 Stainless Steel Socket Head Cap Screw 10-32 Thread, 2-3/4" Length for ABA-COV-85 cone head assy.	
01706 (14)	ABA-COV-94SML	1	Valve stem quart cone nozzle, thrd + quart flush assys	

01709 (07)	ABA-COV-87SML	1	Valve Foot, 1.84" diameter, Quart cone style (for ABA-COV-85QTS series)	
01711 (08)	ABA-COV-88SML	1	UHMW Bubble Breaker for Quart Nozzle	
01858	ABA-COV-90SKT	0	Seal kit for ABA-COV-90 air cylinder	
02053 (11)	68PL-4-2	1	Straight Connector, 1/4 inch Tube x 1/8 inch NPT Male	
02054 (12)	169PL-4-2	1	Elbow 1/4" Tube x 1/8" NPT Male	
02186 (06)	ABA-COV-86SMLF	1	Nozzle 1.84" diameter, Quart cone style (for ABA-COV-85QTS series) with 2.5" CIP Flush fitting	
02532	ABA-COV-91B	2	SS Set Screws 10-32 x 7/8" for COV-91 Standoffs	
02567	ABA-COV-32B	4	Cotter pin for ABA-COV-32	
02748	ABA-COV-89C	1	18-8 SS Self-Lock Flat Head Socket Cap Screw 10-24 Thread, 1" Length	
02749	ABA-COV-88SMLB	1	18-8 Stainless Steel Socket Head Cap Screw 6-32 Thread, 1/2" Length	
03545	ABA-LABEL	1	ABA Label	